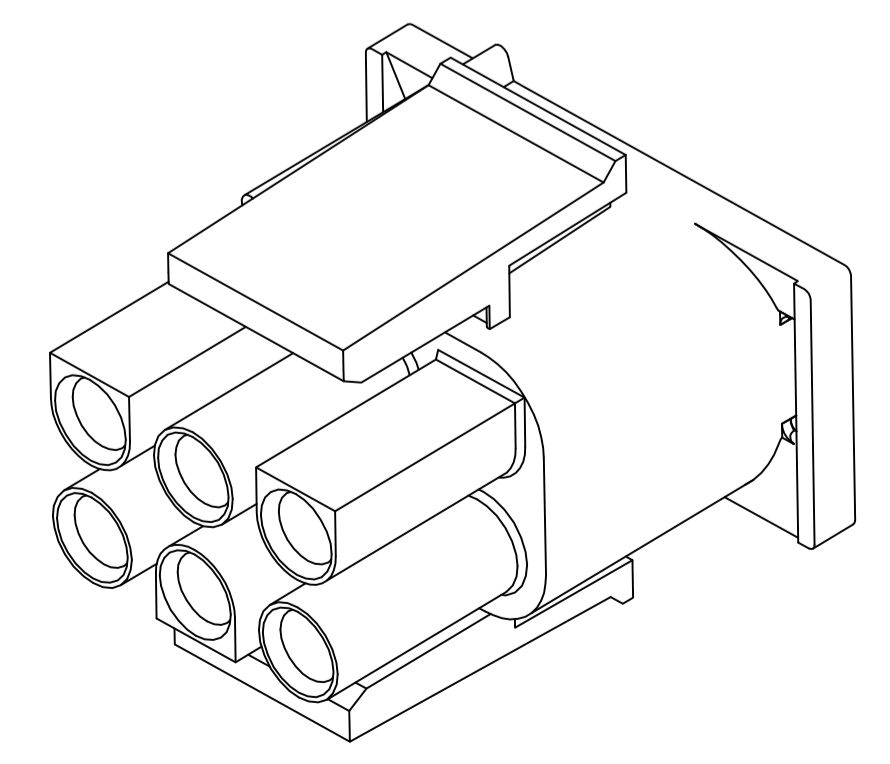


DETAIL A
OPTIONAL CONSTRUCTIONS

1. MATES WITH APPROPRIATE UNIVERSAL MATE-N-LOK™ CAP OR HEADER.
2. SMALL NICKS ARE PERMITTED ON THE CIRCUIT TOWERS WHICH COULD INCREASE THE INITIAL HOUSING MATING FORCE BY UP TO 4.4 NEWTONS [1.0 LBS]. NO INDIVIDUAL NICKED TOWER SHALL INCREASE THIS FORCE BY OVER 2.2 NEWTONS [.5 LBS].
3. DIMENSION INDICATED IS AS MOLDED. ADDITIONAL GROWTH DUE TO SUBSEQUENT MOISTURE ABSORPTION MAY OCCUR.
4. FOUR RIBS EQUALLY SPACED, NO SPECIFIC ORIENTATION. NO RIBS OR SIX RIBS EQUALLY SPACED, NO SPECIFIC ORIENTATION, OPTIONAL.
5. UNDERWRITERS RECOGNIZED COMPONENT LOGO AND CSA CERTIFICATION LOGO TO BE LOCATED ONCE EACH ON SIDE OF HOUSING.
6. MANUFACTURING LOCATION ID ON SIDE OF HOUSING (OPTIONAL).
7. TRADEMARK LOCATION (AMP OR TE CONNECTIVITY).
8. OBSOLETE PARTS: OBSOLETE CIS STREAMLINING PER D.RENAUD/D.SINISI

27.43	1.080
20.32	.800
13.97	.550
11.68	.460
0.38	.015
0.13	.005
MM	IN

CONVERSION TABLE



3-DIMENSIONAL MODEL NTS

8	SUPERSEDED BY 1-480704-0	8	OBSOLETE	BLACK	1-480704-9
		8	OBSOLETE	GRAY	1-480704-8
		8	OBSOLETE	BLUE	1-480704-6
		8	OBSOLETE	GREEN	1-480704-5
		8	OBSOLETE	YELLOW	1-480704-4
		8	OBSOLETE	ORANGE	1-480704-3
		8	OBSOLETE	RED	1-480704-2
		8	OBSOLETE	BROWN	1-480704-1
		8	OBSOLETE	NATURAL	1-480704-0
		8	OBSOLETE	COLOR	PART NUMBER

THIS DRAWING IS A CONTROLLED DOCUMENT.

DIMENSIONS:	TOLERANCES UNLESS OTHERWISE SPECIFIED:	DIN	K. WHITAKER	23MAR05
mm	0. PLC ± -	CHK	S. RIDGILL	23MAR05
	1. PLC ± -	APVD	S. RIDGILL	23MAR05
	2. PLC ± 0.13	NAME		
	3. PLC ± -	PRODUCT SPEC		
	4. PLC ± -	APPLICATION SPEC		
	ANGLES ± 0°30'	SIZE	CAGE CODE	DRAWING NO
MATERIAL	FINISH	WEIGHT	A1	00779
NYLON,UL 94V-2	-	CUSTOMER DRAWING	SCALE	4:1

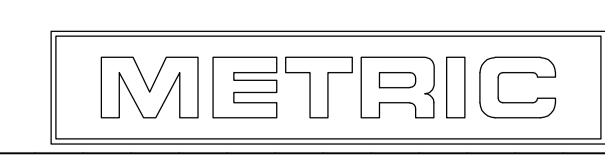
STE TE Connectivity

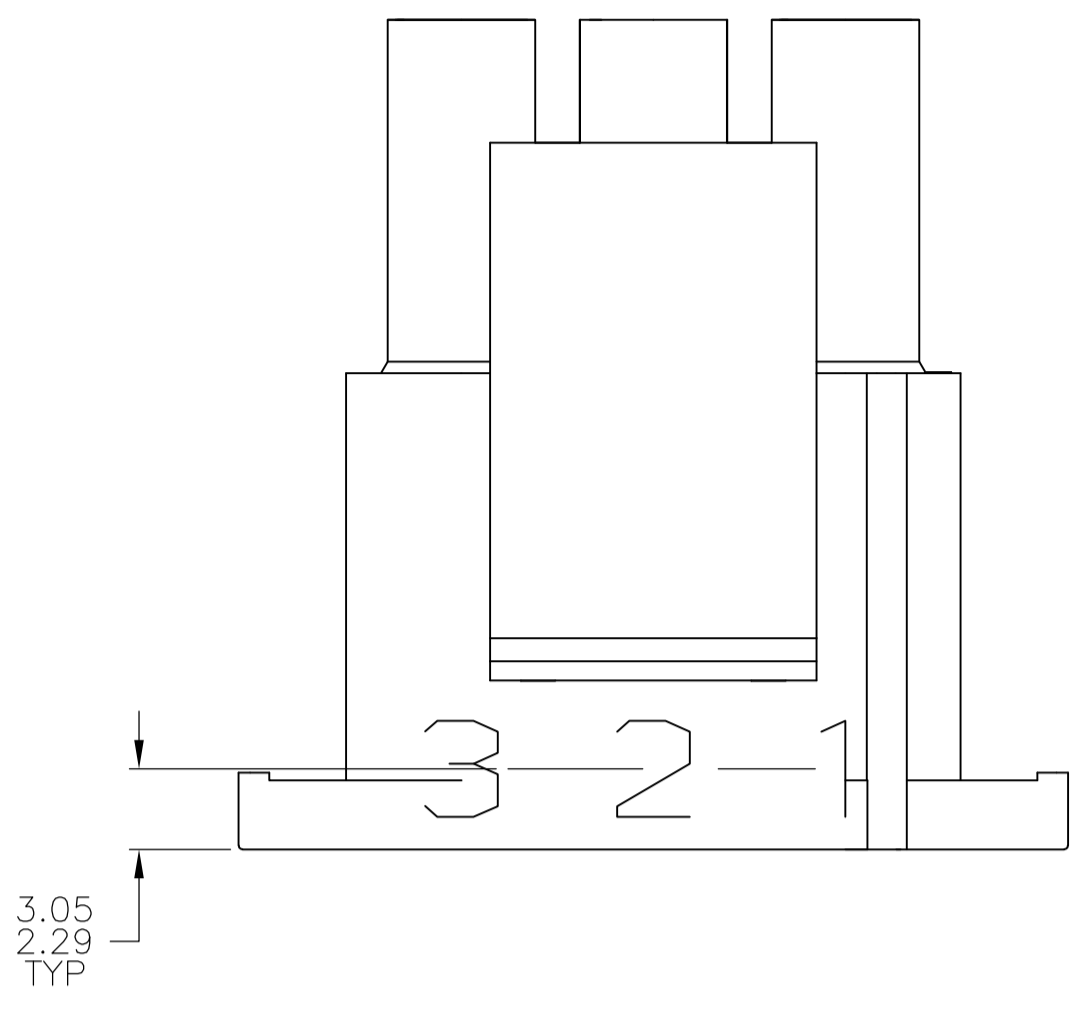
PLUG, 6 CIRCUIT, UNIVERSAL MATE-N-LOK(TM)

RESTRICTED TO

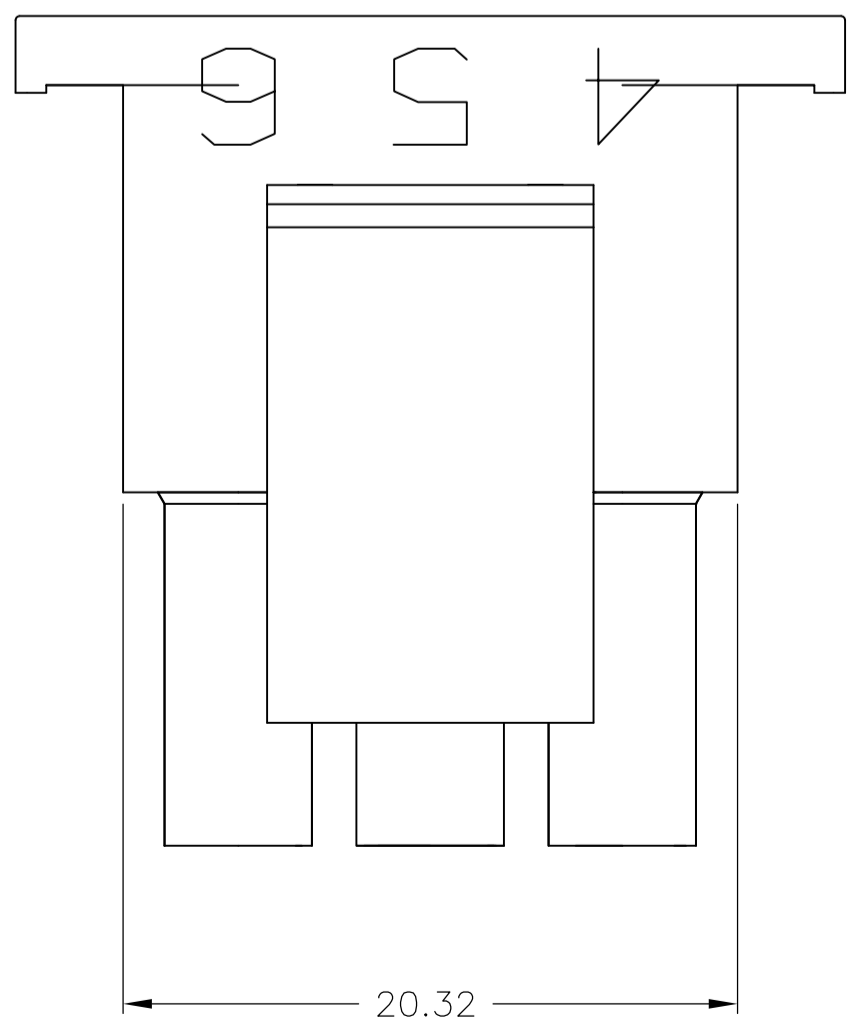
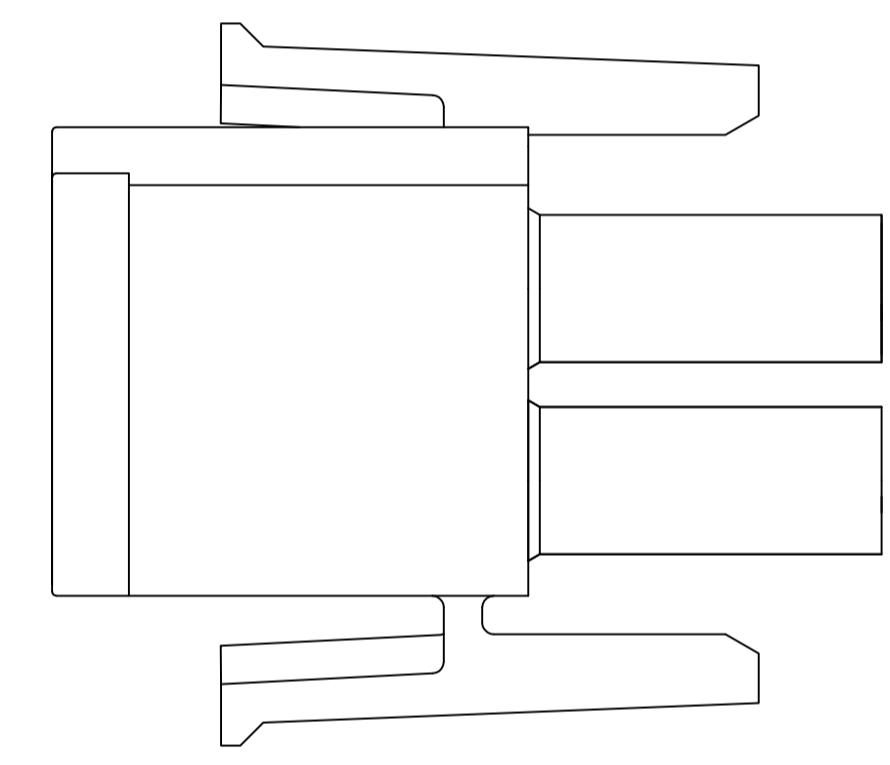
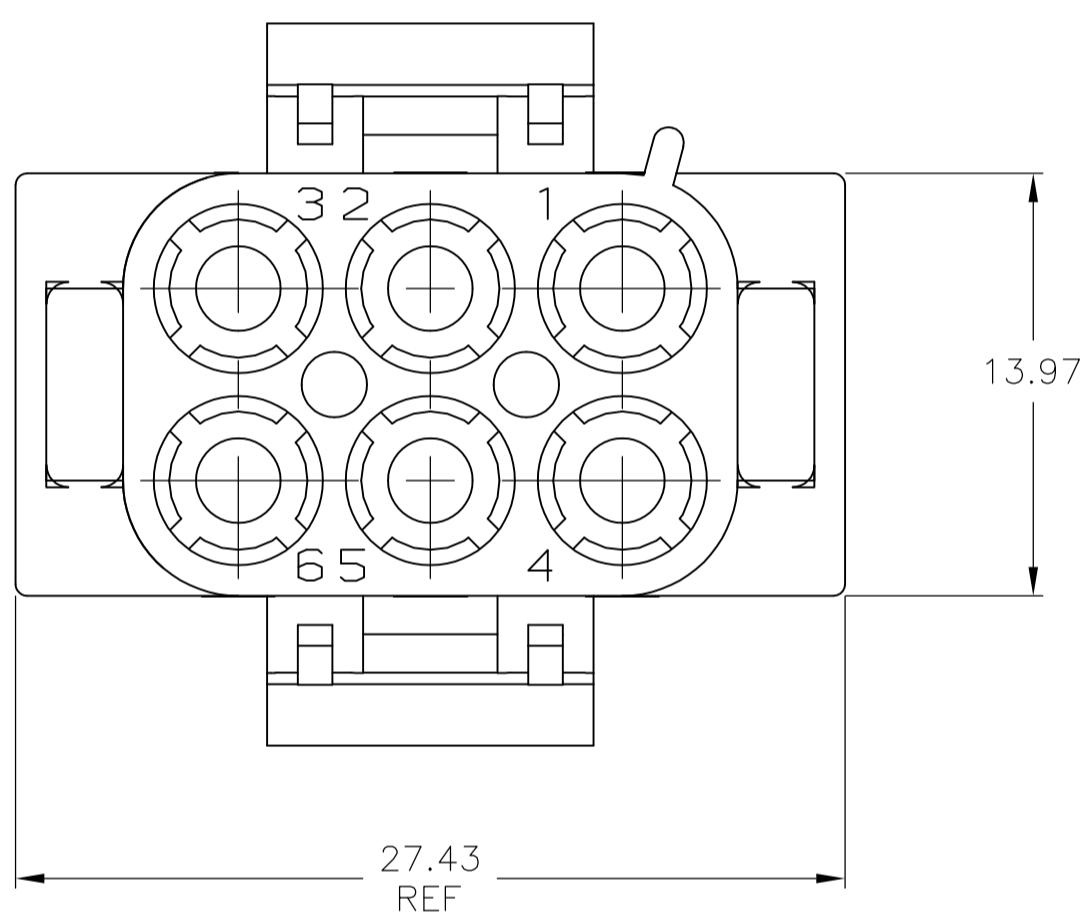
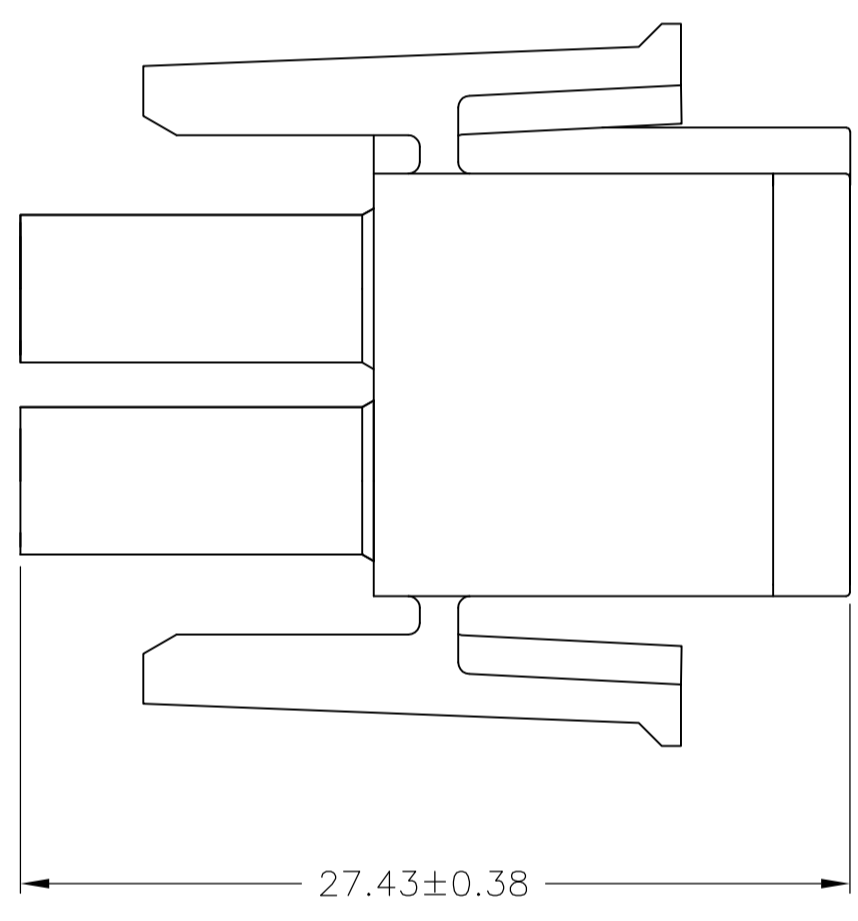
1 OF 2 SHEET

REV AP3





1. STAMP NUMBERS 3.18 HIGH AT WIRE END OF HOUSING (12 POINT DAVID TYPE).
2. CHARACTERS TO BE POSITIONED ON HOUSING TO BE READ FROM WIRE END ONLY.
3. VIOLET, BLACK, BROWN, AND BLUE COLORED BLOCKS TO BE STAMPED WITH WHITE CHARACTERS. ALL OTHER COLORED BLOCKS TO BE STAMPED WITH BLACK CHARACTERS.



3.05	.120	27.43	1.080
2.29	.090	20.32	.800
0.38	.015	13.97	.550
0.13	.005	3.18	.125
MM	IN	MM	IN

CONVERSION TABLE

METRIC

THIS DRAWING IS A CONTROLLED DOCUMENT.		DWG K. WHITAKER 23MAR05	NATURAL COLOR		2-480704-0 PART NUMBER
DIMENSIONS: mm		CHK S. RIDGILL 23MAR05	TE Connectivity		
TOLERANCES UNLESS OTHERWISE SPECIFIED:		APPV S. RIDGILL 23MAR05	NAME PLUG, 6 CIRCUIT, UNIVERSAL MATE-N-LOK(TM)		
0. PLC ± - 1. PLC ± - 2. PLC ± 0.13 3. PLC ± - 4. PLC ± - ANGLES ± 0°30'		NAME S. RIDGILL	PRODUCT SPEC	APPLICATION SPEC	RESTRICTED TO
MATERIAL	FINISH	WEIGHT	SIZE A1	CAGE CODE 00779	DRAWING NO 480704
CUSTOMER DRAWING			SCALE 4:1	SHEET 2 OF 2	REV AP3